



### Compressor Selection: Semi-hermetic Reciprocating Compressors

#### Input Values

Compressor model	(4CC-6.2Y)	Suction gas temperature	20,00 °C
Mode	Refrigeration and Air conditioning	Operating mode	Auto
Refrigerant	R507A	Power supply	400V-3-50Hz
Reference temperature	Dew point temp.	Capacity Control	100%
Liq. subc. (in condenser)	0 K	Useful superheat	100%

#### Result

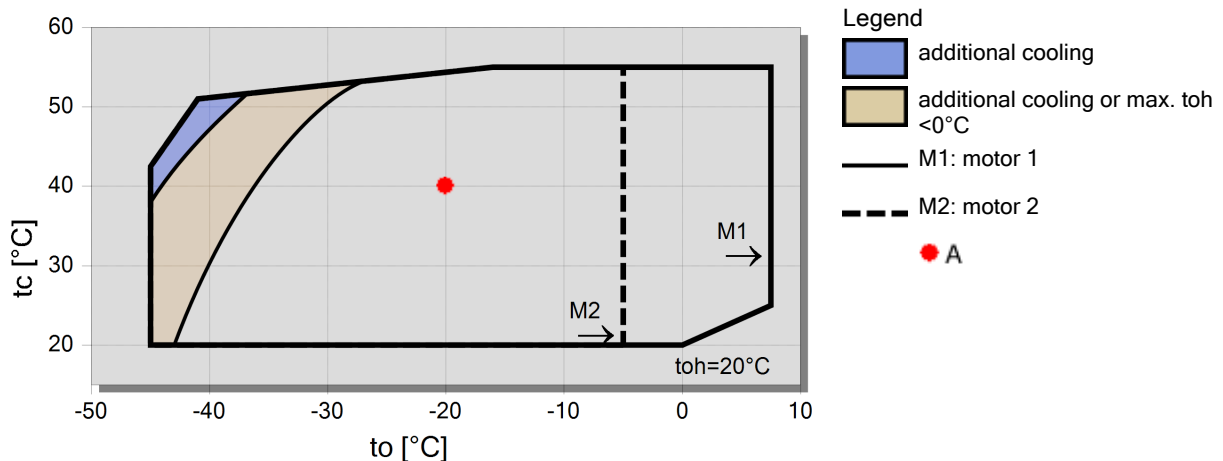
Q [W]	Cooling capacity	COP [-]	COP/EER
Q* [W]	Cooling capacity *	COP* [-]	COP/EER *
P [kW]	Power input	m [kg/h]	Mass flow
I [A]	Current	Op.	Operating mode
Qc [W]	Condenser Capacity	th [°C]	Discharge gas temp. w/o cooling

tc	to	-5°C	-10°C	-15°C	-20°C	-25°C	-30°C	-35°C	-40°C
30°C	Q [W]	25557	21178	17383	14105	11285	8873	6822	5089
	Q* [W]	25557	21178	17383	14105	11285	8873	6822	5089
	P [kW]	6,84	6,55	6,17	5,71	5,19	4,63	4,03	3,41
	I [A]	11,99	11,58	11,05	10,44	9,77	9,07	8,38	7,72
	Qc [W]	32398	27726	23550	19816	16480	13503	10851	8496
	COP [-]	3,74	3,23	2,82	2,47	2,17	1,92	1,69	1,49
	COP* [-]	3,74	3,23	2,82	2,47	2,17	1,92	1,69	1,49
	m [kg/h]	663	543	442	356	283	222	169,6	126,0
	Op.	Standard	Standard	Standard	Standard	Standard	Standard	Standard	Standard
	th [°C]	69,9	76,9	84,3	92,3	100,8	109,9	120,0	131,3
40°C	Q [W]	21581	17836	14581	11762	9333	7252	5479	3979
	Q* [W]	21581	17836	14581	11762	9333	7252	5479	3979
	P [kW]	7,87	7,40	6,86	6,25	5,59	4,88	4,14	3,39
	I [A]	13,47	12,80	12,02	11,17	10,27	9,38	8,51	7,71
	Qc [W]	29448	25239	21441	18012	14919	12131	9623	7372
	COP [-]	2,74	2,41	2,13	1,88	1,67	1,49	1,32	1,17
	COP* [-]	2,74	2,41	2,13	1,88	1,67	1,49	1,32	1,17
	m [kg/h]	632	517	418	335	264	204	153,1	110,8
	Op.	Standard	Standard	Standard	Standard	Standard	Standard	Standard	Standard
	th [°C]	81,3	88,5	96,2	104,5	113,4	123,0	133,5	0
50°C	Q [W]	17609	14496	11783	9430	7401	5663	4185	2939
	Q* [W]	17609	14496	11783	9430	7401	5663	4185	2939
	P [kW]	8,88	8,25	7,54	6,77	5,96	5,11	4,24	3,36
	I [A]	14,98	14,03	13,00	11,90	10,77	9,66	8,61	7,67
	Qc [W]	26491	22744	19324	16203	13359	10772	8423	6297
	COP [-]	1,98	1,76	1,56	1,39	1,24	1,11	0,99	0,88
	COP* [-]	1,98	1,76	1,56	1,39	1,24	1,11	0,99	0,88
	m [kg/h]	601	488	392	311	242	184,0	135,2	94,5
	Op.	Standard	Standard	Standard	Standard	Standard	Standard	Standard	Standard
	th [°C]	93,5	101,2	109,4	118,2	127,8	138,4	0	0

-- No calculation possible (see message in single point selection)

\*According to EN12900 (20°C suction gas temp., 0K liquid subcooling)

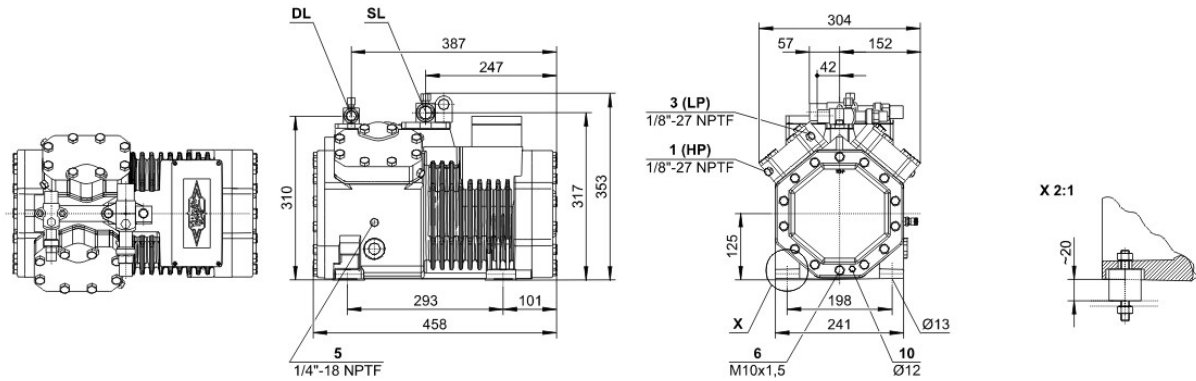
#### Application Limits 100% Octagon





## Technical Data: (4CC-6.2Y)

### Dimensions and Connections



### Technical Data

#### Technical Data

Displacement (1450 RPM 50Hz)	32,48 m <sup>3</sup> /h
Displacement (1750 RPM 60Hz)	39,20 m <sup>3</sup> /h
No. of cylinder x bore x stroke	4 x 55 mm x 39,3 mm
Weight	90,5 kg
Max. pressure (LP/HP)	19 / 28 bar
Connection suction line	28 mm - 1 1/8"
Connection discharge line	22 mm - 7/8"
Oil type R134a/R407C/R404A/R507A/R407A/R407F	tc<55°C: BSE32 / tc>55°C: BSE55 (Option)
Oil type R22 (R12/R502)	B5.2 (Standard)
Oil type R290/R1270	SHC226E (Standard)

#### Motor data

Motor voltage (more on request)	380-420V Y-3-50Hz
Max operating current	15.9 A
Starting current (Rotor locked)	82.4 A
Max. Power input	9,0 kW

#### Extent of delivery (Standard)

Motor protection	SE-B1
Enclosure class	IP65
Vibration dampers	Standard
Oil charge	2,00 dm <sup>3</sup>

#### Available Options

Discharge gas temperature sensor	Option
Start unloading	Option
Capacity control	100-50% (Option)
Additional fan	Option
Crankcase heater	0..120 W PTC (Option)
Oil level monitoring	OLC-K1 (Option, not for R290/R1270)

#### Sound measurement

Sound power level (-10°C / 45°C)	72,5 dB(A) @ 50Hz
Sound power level (-35°C / 40°C)	76,0 dB(A) @ 50Hz
Sound pressure level @ 1m (-10°C / 45°C)	64,5 dB(A) @ 50Hz
Sound pressure level @ 1m (-35°C / 40°C)	68,0 dB(A) @ 50Hz